

FnIO G – Series :

GT-317F

GT-317F (16 Channels 18pt RTB, Current Input)

0~20mA / 4~20mA, 12bit

Table of Contents

Table of Contents.....	2
History.....	3
1.ENVIRONMENT SPECIFICATION.....	4
2.GT-317F(16 CHANNELS CURRENT INPUT, 0~20mA/4~20mA, 16BIT).....	5
2.1.GT-317F Specification.....	5
2.2.GT-317F Wiring Diagram.....	6
2.3.GT-317F LED Indicator.....	7
2.3.1.LED Indicator.....	7
2.3.2.Channel Status LED.....	7
2.3.3.Data value / Current.....	8
2.4.Mapping data into the image table.....	9
2.5.Parameter Data.....	10

History

REV.	PAGES	REMARKS	DATE	Editor
1.00	11	New Document	July 28, 2017	Seokhyun, Jun
1.01		Specification Revision	Apr 12, 2018	Soyeong, Park
1.02		Edit conversion time	Apr 17, 2020	Seokhyun, Jun
1.03	5-6	Wiring Diagram & Common Type	Oct 14, 2020	SunA, Hwang

Specification

1. ENVIRONMENT SPECIFICATION

Environmental specification	
Operating Temperature	-40°C~60°C
UL Temperature	-20°C~60°C
Storage Temperature	-40°C~85°C
Relative Humidity	5% ~ 90% non-condensing
Mounting	DIN rail
General specification	
Shock Operating	IEC 60068-2-27 : 2008 / 15g, 11ms
Vibration Resistance	Based on IEC 60068-2-6 DNVGL-CG-0039 : Vibration Class B, 4g
EMC Resistance	EN 61000-6-2 : 2005 EN 61000-6-4 : 2007+A1:2011
Installation Pos. / Protect. Class	Variable/IP20
Product Certifications	CE, UL, FCC

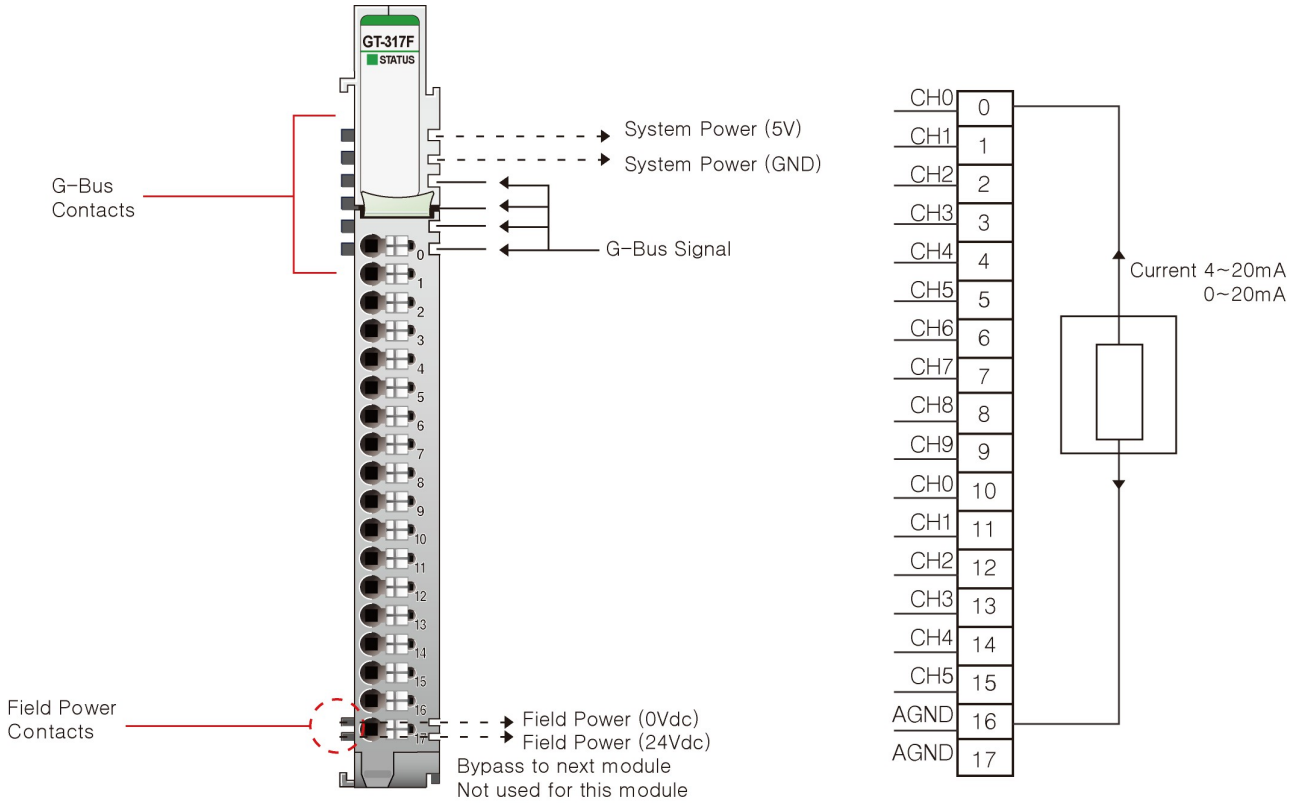
Specification

2. GT-317F(16 CHANNELS CURRENT INPUT, 0~20mA/4~20mA, 12BIT)

2.1. GT-317F Specification

Items	Specification
Input Specification	
Inputs per module	16 Channels single ended, non-isolated between channel
Indicators	1 Green G-Bus status
Resolution in Ranges	12 bits : 4.88uA/Bit(0~20mA), 3.91uA/Bit(4~20mA)
Input Range	0~20mA, 4~20mA
Data Format	16bits Integer (2' compliment)
Module Error	±0.1% Full Scale @ 25°C ambient ±0.3% Full Scale @ -40°C~60°C
Input Impedance	121.5Ω
Conversion Time	1.2msec / All channel
Field calibration	Not Required
General Specification	
Power dissipation	Max. 200mA @ 5Vdc
Isolation	I/O to Logic : Photocoupler Isolation Field power : Not Connected
UL Field Power	Supply Voltage : 24Vdc nominal, Class 2
Field Power	Not used Field power bypass to next expansion module
Single Wiring	I/O Cable Max. 1.0mm ² (AWG 18)
Weight	63g
Module Size	12mm x 109mm x 70mm
Environment Condition	Refer to 'Environment Specification'

2.2. GT-317F Wiring Diagram



Pin No.	Signal Description
0	Input Channel 0
1	Input Channel 1
2	Input Channel 2
3	Input Channel 3
4	Input Channel 4
5	Input Channel 5
6	Input Channel 6
7	Input Channel 7
8	Input Channel 8
9	Input Channel 9
10	Input Channel 10
11	Input Channel 11
12	Input Channel 12
13	Input Channel 13
14	Input Channel 14
15	Input Channel 15
16	Input Channel Common(AGND)
17	Input Channel Common(AGND)

2.3. GT-317F LED Indicator

2.3.1. LED Indicator



LED No.	LED Function / Description	LED Color
0	Status LED	Green

2.3.2. Channel Status LED

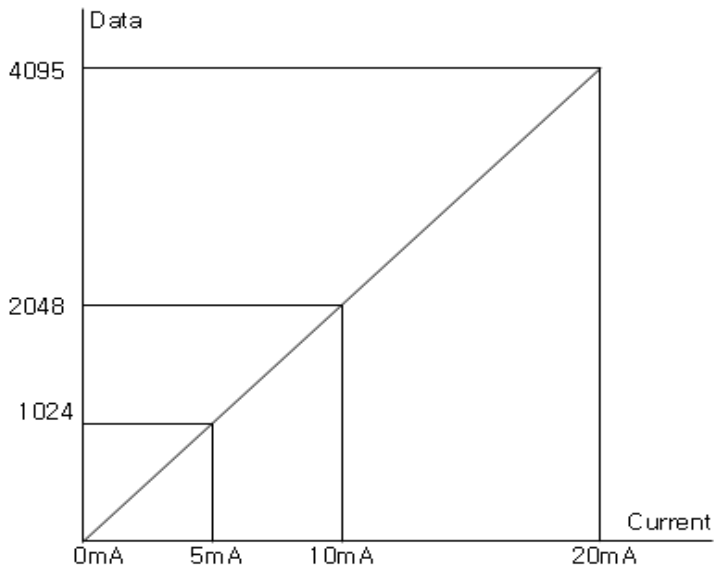
Status	LED	To indicate
G-Bus Status	Off Green	Disconnection Connection

Specification

2.3.3. Data value / Current

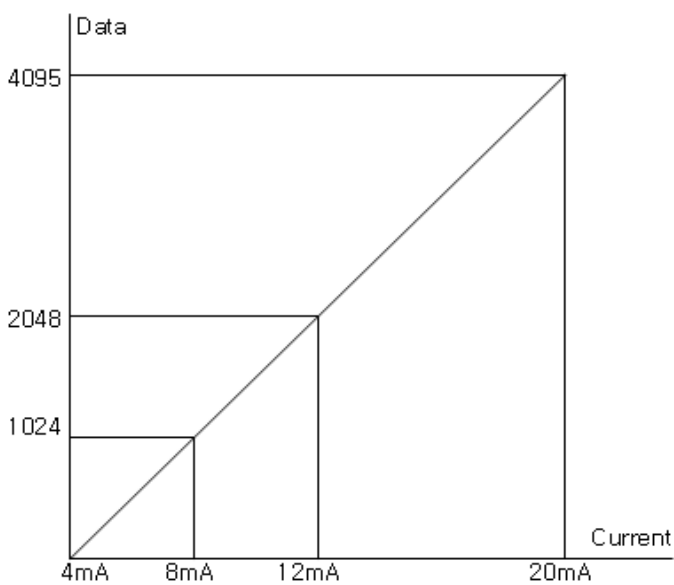
Current Range : 0~20mA

Current	0.0mA	5.0mA	10.0mA	20.0mA
Data(Hex)	H0000	H03FF	H07FF	H0FFF



Current Range : 4~20mA

Current	4.0mA	8.0mA	12.0mA	20.0mA
Data(Hex)	H0000	H03FF	H07FF	H0FFF



Specification

2.4. Mapping data into the image table

- **Input Module Data**

Analog Input Ch0
Analog Input Ch1
Analog Input Ch2
Analog Input Ch3
Analog Input Ch4
Analog Input Ch5
Analog Input Ch6
Analog Input Ch7
Analog Input Ch8
Analog Input Ch9
Analog Input Ch10
Analog Input Ch11
Analog Input Ch12
Analog Input Ch13
Analog Input Ch14
Analog Input Ch15



- **Input Image Value**

Bit No	Bit7	Bit6	Bit5	Bit4	Bit3	Bit2	Bit1	Bit0
Byte 0	Analog Input Ch0 Low byte							
Byte 1	Analog Input Ch0 High byte							
Byte 2	Analog Input Ch1 Low byte							
Byte 3	Analog Input Ch1 High byte							
Byte 4	Analog Input Ch2 Low byte							
Byte 5	Analog Input Ch2 High byte							
Byte 6	Analog Input Ch3 Low byte							
Byte 7	Analog Input Ch3 High byte							
Byte 8	Analog Input Ch4 Low byte							
Byte 9	Analog Input Ch4 High byte							
Byte 10	Analog Input Ch5 Low byte							
Byte 11	Analog Input Ch5 High byte							
Byte 12	Analog Input Ch6 Low byte							
Byte 13	Analog Input Ch6 High byte							
Byte 14	Analog Input Ch7 Low byte							
Byte 15	Analog Input Ch7 High byte							
Byte 16	Analog Input Ch8 Low byte							
Byte 17	Analog Input Ch8 High byte							
Byte 18	Analog Input Ch9 Low byte							
Byte 19	Analog Input Ch9 High byte							
Byte 20	Analog Input Ch10 Low byte							
Byte 21	Analog Input Ch10 High byte							
Byte 22	Analog Input Ch11 Low byte							
Byte 23	Analog Input Ch11 High byte							
Byte 24	Analog Input Ch12 Low byte							
Byte 25	Analog Input Ch12 High byte							
Byte 26	Analog Input Ch13 Low byte							
Byte 27	Analog Input Ch13 High byte							
Byte 28	Analog Input Ch14 Low byte							
Byte 29	Analog Input Ch14 High byte							
Byte 30	Analog Input Ch15 Low byte							
Byte 31	Analog Input Ch15 High byte							

Specification

2.5. Parameter Data

- Valid Parameter length: 18 Bytes
- Parameter Data

Bit No	Bit7	Bit6	Bit5	Bit4	Bit3	Bit2	Bit1	Bit0
Byte 0	Current Range for Channel 0 (H00: 0~20mA, H01: 4~20mA)							
Byte 1	Current Range for Channel 1 (H00: 0~20mA, H01: 4~20mA)							
Byte 2	Current Range for Channel 2 (H00: 0~20mA, H01: 4~20mA)							
Byte 3	Current Range for Channel 3 (H00: 0~20mA, H01: 4~20mA)							
Byte 4	Current Range for Channel 4 (H00: 0~20mA, H01: 4~20mA)							
Byte 5	Current Range for Channel 5 (H00: 0~20mA, H01: 4~20mA)							
Byte 6	Current Range for Channel 6 (H00: 0~20mA, H01: 4~20mA)							
Byte 7	Current Range for Channel 7 (H00: 0~20mA, H01: 4~20mA)							
Byte 8	Current Range for Channel 8 (H00: 0~20mA, H01: 4~20mA)							
Byte 9	Current Range for Channel 9 (H00: 0~20mA, H01: 4~20mA)							
Byte 10	Current Range for Channel 10 (H00: 0~20mA, H01: 4~20mA)							
Byte 11	Current Range for Channel 11 (H00: 0~20mA, H01: 4~20mA)							
Byte 12	Current Range for Channel 12 (H00: 0~20mA, H01: 4~20mA)							
Byte 13	Current Range for Channel 13 (H00: 0~20mA, H01: 4~20mA)							
Byte 14	Current Range for Channel 14 (H00: 0~20mA, H01: 4~20mA)							
Byte 15	Current Range for Channel 15 (H00: 0~20mA, H01: 4~20mA)							

Specification

Byte 16	Filter Time (H00: Default Filter(20) / H01: Fastest ~ / H3E: Slowest)
Byte 17	Not used(=00)